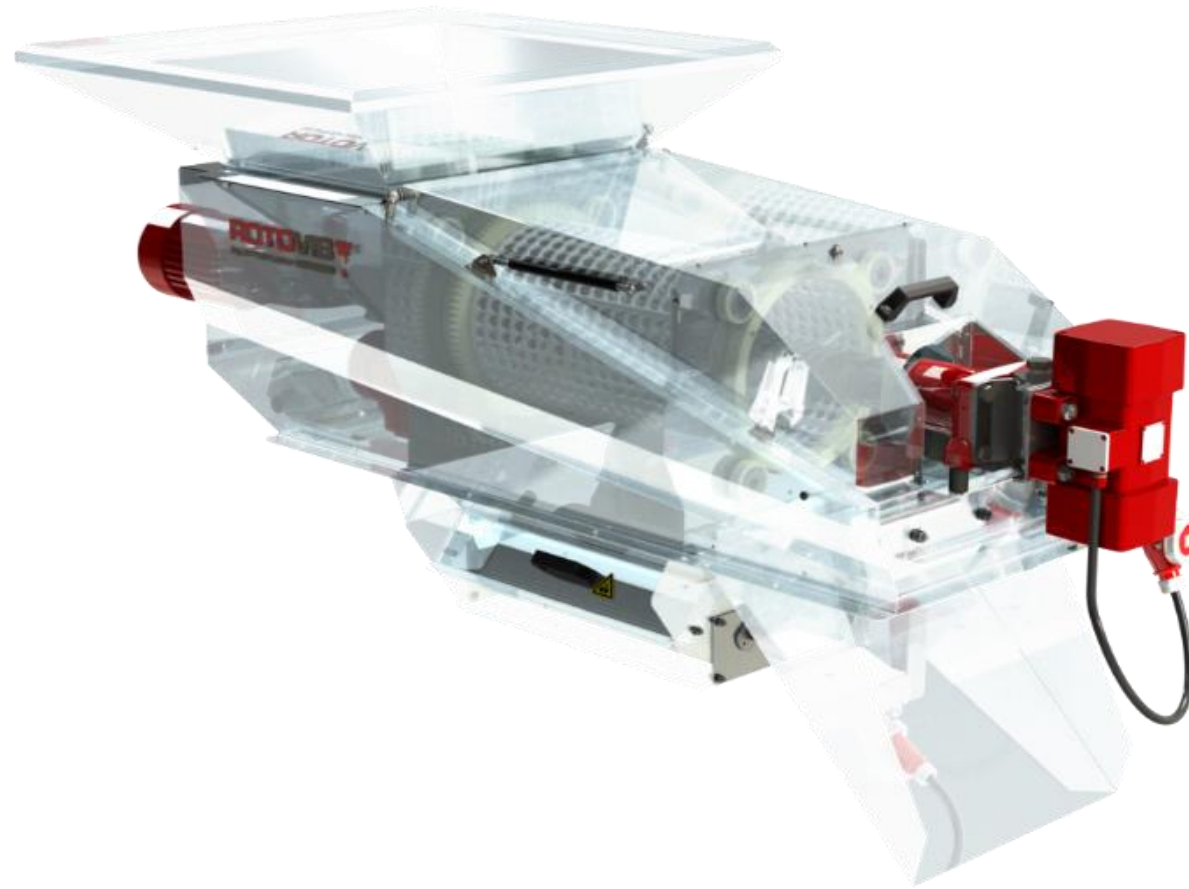
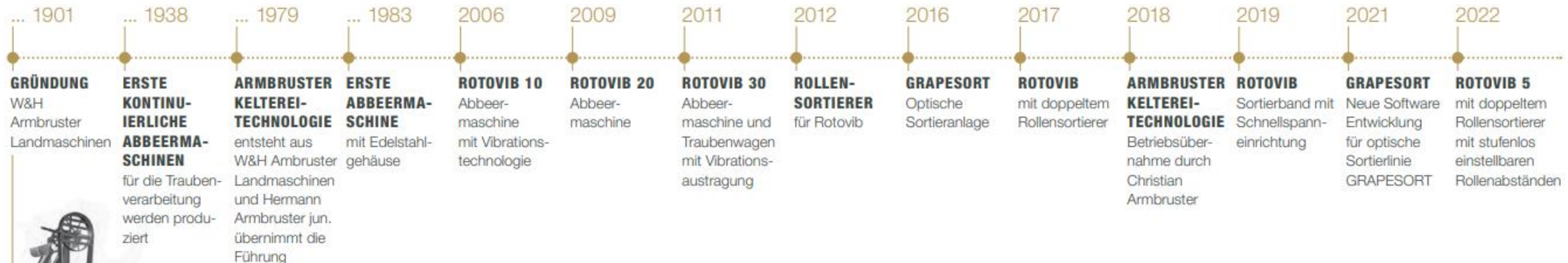


ARMBRUSTER 
KELTEREI-TECHNOLOGIE GMBH



YOUR SPECIALISTS IN HIGH QUALITY GRAPE PROCESSING

Innovation hat bei uns Tradition



NEU!
GrapeSort und
Rotovib 2RS



OUR GOAL IS TO SUPPORT THE WINE INDUSTRY WITH INNOVATIVE TECHNOLOGIE TO PROCESS THEIR FRUIT WITH HIGHEST DEMANDS IN QUALITY

PRODUCT RANGE

ARMBRUSTER GMBH 
KELTEREI-TECHNOLOGIE

- TRAILERS
- RECEIVING HOPPERS
- TRANSPORTATION
- DESTEMMING
- SORTING EQUIPMENT



TRAILERS TWV 40/50/60/75

ARMBRUSTER GMBH
KELTEREI-TECHNOLOGIE



- GRAPE TRAILERS FROM 4000L UP TO 7500L CAPACITY
- DISCHARGE WITH AN COMBINATION OF TIPPING AND VIBRATION
- EXTREME GENTLE TO THE FRUIT
- FOR MECHANICAL / HAND –HARVESTED FRUIT
- PERFECT SYSTEM TO FEED OTHER EQUIPMENT LIKE CONVEYORS/DESTEMMERS/SORTING EQUIPMENT DIRECTLY WITH THE TRAILER
- HIGH DISCHARGE POINT
- POSSIBILITY OF PRE-DEJUICING OPTIONAL
- DISCHARGE SPEED UP TO 30T/H



RECEIVING HOPPERS

WITH VIBRATION DISCHARGE

ARMBRUSTER 
KELTEREI-TECHNOLOGIE GMBH

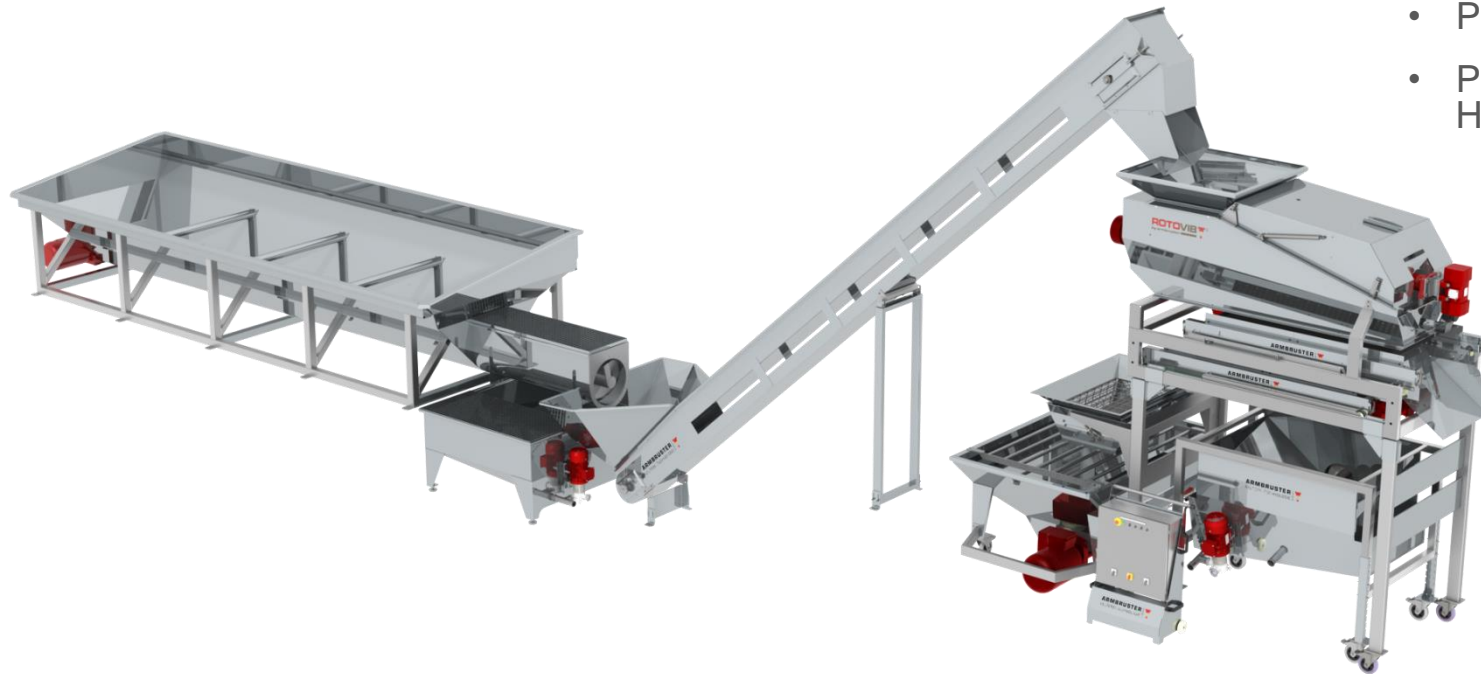
- CAPACITY FROM 500L UP TO 10 000L
- DISCHARGE WITH VIBRATION OR A COMBINATION OF TIPPING AND VIBRATION
- EXTREME GENTLE TO THE FRUIT
- DISCHARGE SPEED UP TO 30T/H
- FOR MECHANICAL AND HAND -HARVESTED FRUIT
- PERFECT SYSTEM TO FEED OTHER EQUIPMENT LIKE CONVEYORS/DESTEMMERS/SORTING EQUIPMENT DIRECTLY WITH THE TRAILER
- POSSIBILITY OF PRE-DEJUICING
- POSSIBILITY OF WEIGHT CELL SYSTEMS UNDER HOPPER



RECEIVING HOPPERS WITH SCREW AUGER DISCHARGE

ARMBRUSTER GMBH 
KELTEREI-TECHNOLOGIE

- CAPACITY UP TO 20 000L
- DISCHARGE WITH SCREW AUGER
- PERFECT SOLUTION FOR HIGH EFFICIENCY AND HIGH VOLUMES
- DISCHARGE SPEED UP TO 100T/H
- FOR MECHANICAL AND HAND –HARVESTED FRUIT
- POSSIBILITY OF PRE-DEJUICING ZONES
- POSSIBILITY OF WEIGHT CELL SYSTEMS UNDER HOPPER



DESTEMMERS

ROTOVIB 5/10/20/30

ARMBRUSTER GMBH 
KELTEREI-TECHNOLOGIE

- OUR KEY PRODUKT
- PATENTED VIBRATION TECHNOLOGY ON THE PIN SHAFT FOR HIGHER AMOUNT OF WHOLE BERRIES
- EXTREME GENTLE TO THE FRUIT UP TO 98% WHOLE BERRIES
- CAN BE EQUIPPED WITH SINGLE OR DOUBLE ROLLERSORTER SYSTEMS TO CLEAN UP THE FRUIT AS GOOD AS POSSIBLE
- CAN BE EQUIPPED WITH CRUSHER SYSTEMS
- PRODUCTION SPEED UP TO 30T/H
- FOR MECHANICAL AND HAND -HARVESTED FRUIT
- PERFECT DESTEMMER IN FRONT OF ANY SORTING SYSTEM BECAUSE OF THE HIGH AMOUNT OF WHOLE BERRIES
- EASY TO MAINTAIN
- BIG RANGE OF OPTIONS WHICH ALLOWS TO FIT IN NEARLY EVERY CRUSH PAD SITUATION



DESTEMMERS

ROTO/AWFS SERIES 10/20/30/40/60/100

- PRODUCTION SPEED UP TO 100T/H
- PERFECT SOLUTION FOR HIGH EFFICIENCY AND HIGH VOLUMES
- SPECIAL OPTIONS FOR MECHANICAL HARVESTED FRUIT (BYPASS/PRE-DEJUICING ZONE/AIR JET SYSTEM TO KEEP THE DESTEMMING CYLINDER CLEAN/ZIP CLEANING SYSTEMS ETC.)
- CAN BE EQUIPPED WITH SINGLE ROLLERSORTER SYSTEMS UP TO A PRODUCTION SPEED OF 40T/H
- CAN BE EQUIPPED WITH CRUSHER SYSTEMS
- FOR MECHANICAL AND HAND -HARVESTED FRUIT

ARMBRUSTER GMBH 
KELTEREI-TECHNOLOGIE

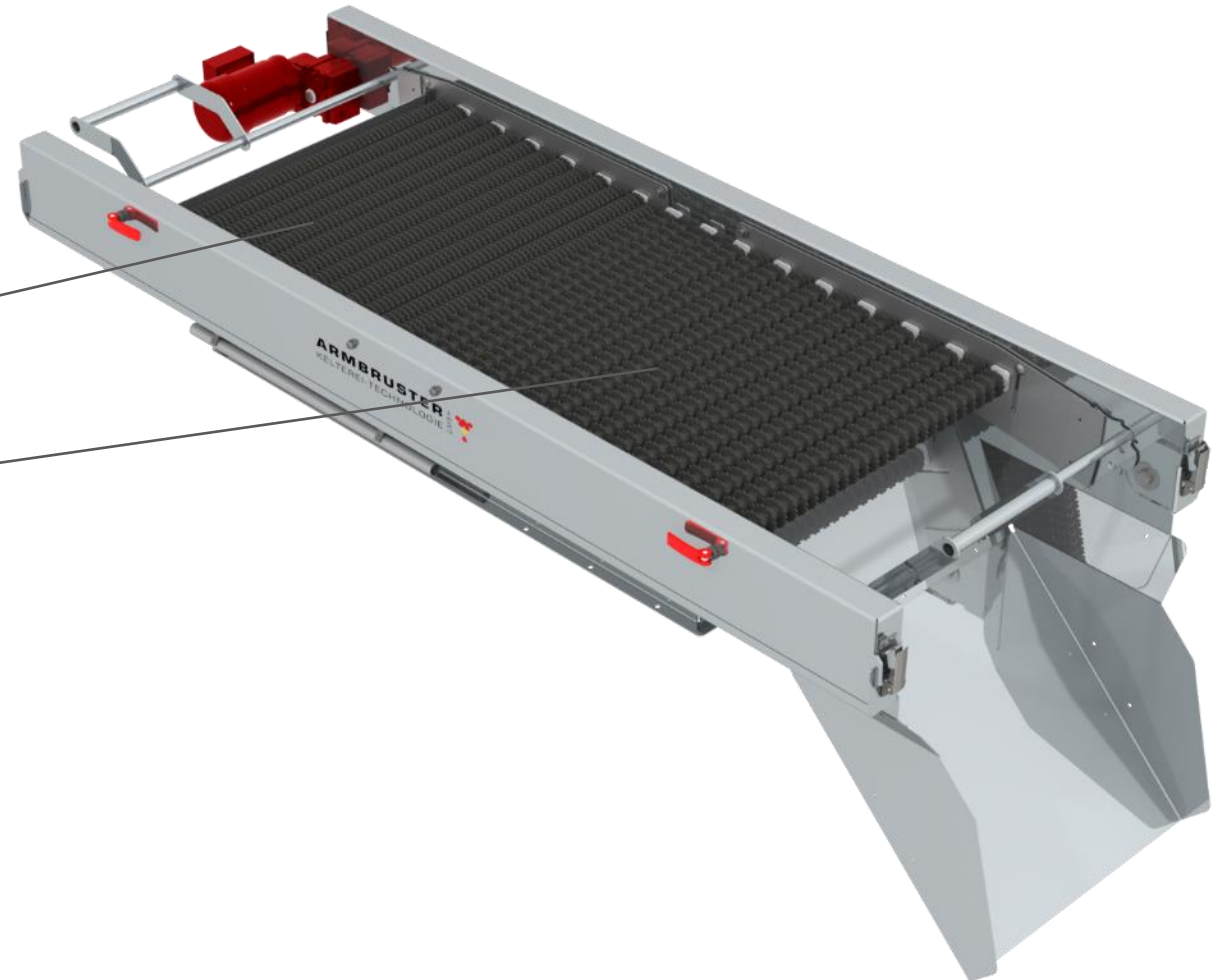


ROLLERSORTERS

RS 10/20/30/40

ARMBRUSTER GMBH 
KELTEREI-TECHNOLOGIE

- PRODUCTION SPEED UP TO 40T/H
- PERFECT SOLUTION FOR AUTOMATICAL MECHANICAL SORTING
- 2 TYPES OF ROLLERS
- SMALL OPENINGS TO REMOVE EVERYTHING WHICH IS SMALLER AS THE BERRIES LIKE SHOT BERRIES, RAISINS, INSECTS, SEEDS AND OTHER SMALL MOG
- LARGE OPENINGS TO REMOVE EVERYTHING WHICH IS BIGGER AS THE BERRIES LIKE LEAVES, STEMS, JACKS ETC.
- DISTANCE BETWEEN THE ROLLERS IS ADJUSTABLE TO BE ABLE TO HAVE BEST POSSIBLE RESULTS ESPECIALLY WITH DIFFERENT BERRIE SIZES
- FOR MECHANICAL AND HAND – HARVESTED FRUIT



TRANSPORTATION CONVEYOR

ARMBRUSTER GMBH 
KELTEREI-TECHNOLOGIE

- PRODUCTION SPEED UP TO 40T/H
- PERFECT SOLUTION FOR FEEDING HIGH POSITIONED EQUIPMENT LIKE DESTEMMERS, PRESSES, TANKS ETC.
- 2 TYPES OF STANDARD WIDTH 400/600mm
- CURVED BATTENS TO BE ABLE TO TRANSPORT A LIMITED AMOUNT OF JUICE
- DRIVEN BY AN ON TOP OF THE BELT POSITIONED DRUM MOTOR
- HAND PUMP HYDRAULIC DEVICE FOR HEIGHT ADJUSTMENTS. FOR EXTRA HEAVY VERSIONS ELECTRO HYDRAULIC SYSTEMS AVAILABLE
- CUSTOM BUILD HOPPERS AND CHUTES AVAILABLE
- CRUSHER UNITS CAN BE ATTACHED AT THE DISCHARGE ZONE



TRANSPORTATION PROGRESSING CAVITY PUMPS

ARMBRUSTER GMBH 
KELTEREI-TECHNOLOGIE

- PRODUCTION SPEED UP TO 100T/H
- PERFECT SOLUTION TO TRANSPORT THE MASH/GRAPES FOR NOT EASY ACCESABLE PRESSES,TANKS ETC.
- HOPPER SIZES UP TO 20 000L
- DIFFERENT ROTOR/STATOR SIZES AVAILABLE 80/100/120MM
- LEVEL CONTROL BY ULTRASONIC SENSOR TECHNOLOGIE
- 2-SPEED MOTORS OR ADJUSTABLE SPEED VIA FREQ. -DRIVE
- CUSTOM BUILD HOPPERS AVAILABLE
- AUTOMATIC RUN AND SPECIAL REMOTE CONTROLES ARE OPTIONAL



SORTING

VIBRATING TABLES **VST**-2000/3000/4000/25-15

ARMBRUSTER GMBH 
KELTEREI-TECHNOLOGIE

- PRODUCTION SPEED UP TO 8T/H
- PERFECT SOLUTION FOR HAND SORTING WITH ADDITIONAL PRE-DEJUICING AND AUTOMATIC REMOVAL OF SMALL WASTE
- DIFFERENT TABLE LENGTH AVAILABLE 2000mm/3000mm/4000mm
- STANDARD TABLE WIDTH 800mm
- DRAWER SYSTEM FOR SEPERATION JUICE FROM SMALL WASTE OPTIONAL IS A SCREW AUGER SYSTEM
- VIBRATION MOTORS WITH ADJUSTABLE SPEED VIA FREQ. -DRIVE
- CUSTOM BUILD HOPPERS AVAILABLE
- SPECIAL UNDERFRAMES AND PLATFORMS AVAILABLE
- CRUSHERS CAN BE ATTACHED AT THE END



SORTING

SORTING BELTS **SB/SB-A**-2000/3000/4000/5000

ARMBRUSTER GMBH 
KELTEREI-TECHNOLOGIE

- PRODUCTION SPEED UP TO 15T/H
- PERFECT SOLUTION FOR HAND SORTING WITHOUT ADDITIONAL PRE-DEJUICING AND AUTOMATIC REMOVAL OF SMALL WASTE
- DIFFERENT BELT LENGTH AVAILABLE
2000mm/3000mm/4000mm/5000mm
- STANDARD TABLE WIDTH 800mm
- THE SB-A VERSION HAS A PNEUMATIC BELT TENSION DEVICE WHICH ALLOWS TO UNTITEN THE BELT AND REMOVE IT SIDWAYS FASTER THEN ANY OTHER FOR CLEANING
- DRUM MOTOR WITH ADJUSTABLE SPEED VIA FREQ. -DRIVE
- CUSTOM BUILD HOPPERS AVAILABLE
- SPECIAL UNDERFRAMES AND PLATFORMS AVAILABLE
- CRUSHERS CAN BE ATTACHED AT THE END



OPTICAL SORTER

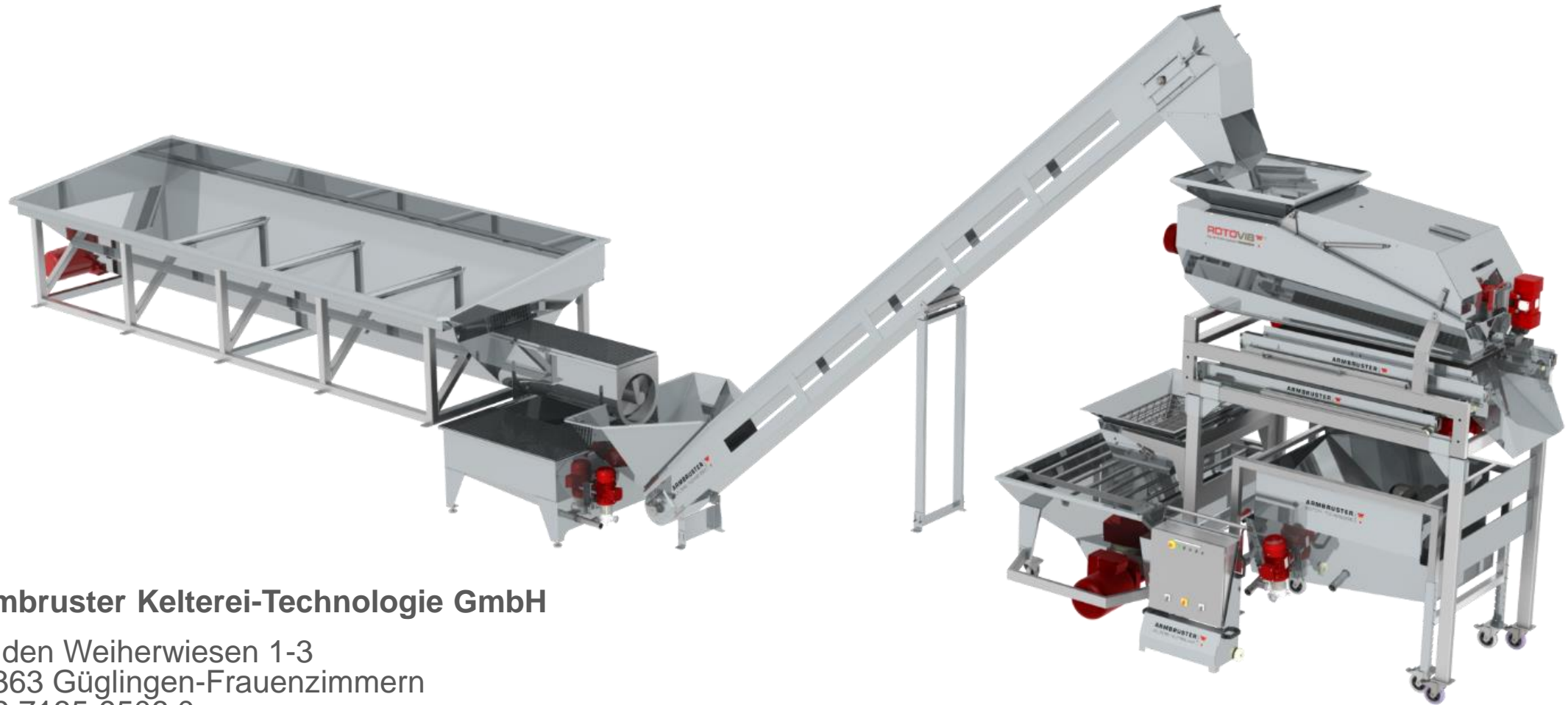
GRAPE**SORT**

ARMBRUSTER 
KELTEREI-TECHNOLOGIE GMBH

- PRODUCTION SPEED UP TO 10T/H
- 4- CHANNEL KAMERA WITH 3 CHANNELS RGB AND 1CHANNEL NIR (NEARINFRAREAD)
- 18 000 FRAMES PER SECOND
- SORTING WIDTH 800mm/ 128 VALVES
- PRESSURE SYSTEM REQUIREMENTS ARE 6BAR 1500L/min
- BELT SPEED 3m/sec
- NEW USER INTERFACE FOR EASY ADJUSTMENTS ON THE PROGRAMMS DURING OPERATION
- MACHINE CAME WITH A LIST OF DIFFERENT PROGRAMMS FOR MOST OF THE COMMON GRAPE VARIATELS AND DIFFERENT REQUIREMENTS
- MACHINE CAN SORT BY COLOR, FORM AND SIZE







- **Armbruster Kelterei-Technologie GmbH**
- Zu den Weiherwiesen 1-3
74363 Göglingen-Frauenzimmern
+49 7135-9506 0
info@rotovib.eu
www.rotovib.eu